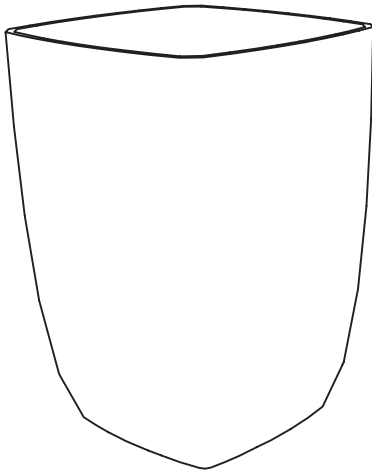




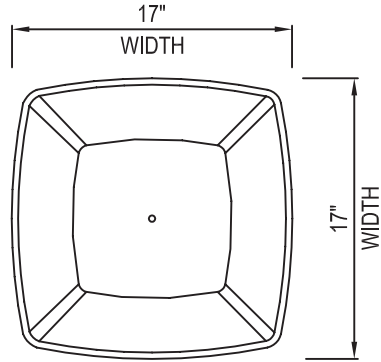
greenform llc.
12900 prairie ave.
hawthorne, ca 90250

phone: 310.331.1665
fax: 310.331.1533
email: info@green-form.com
www.green-form.com

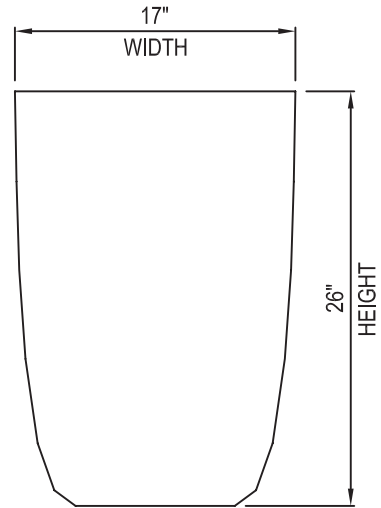


ISOMETRIC VIEW

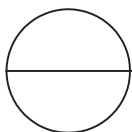
WEIGHT: 35 LBS.
VOLUME: 25 GAL.



PLAN VIEW



SIDE VIEW



RECTANGLE/SQUARE FORMS

SAMURAI PLANTER